

Top Bag removal collectors
with walk-in plenum
access

SPJ-T SERIES

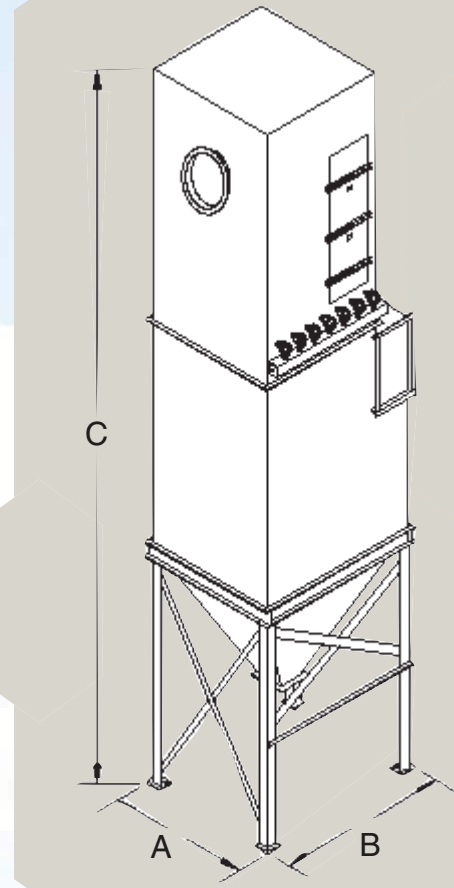
The SPJ Series Dust Collector is a heavy duty reverse pulse-jet dust collector that eliminates flow-restricting venturis and utilizes our patented cleaning system. The cleaning system results in reliable and efficient collectors that requires fewer bags and prolongs bag life. This reduces overall maintenance and operating costs while operating a smaller overall collector.

STANDARD FEATURES

- 12 gauge hot rolled steel housing, reinforced to withstand ± 20 IWC
- Structure designed to withstand 100 MPH winds + Zone 3 seismic loads
- Patented cleaning system with solid state timer pre-wired in NEMA 4 enclosure (110 V)
- 60° hopper with square discharge, flanged and pre-drilled for auxiliary equipment
- Compressed air manifold mounted with pipe couplings on both ends for easy connection of air supply
- Hopper discharge clearance of 42", sized for slide gate and 55 gallon drum adapter
- Flanged inlet and pre-drilled flanged outlet
- Removable 20" x 20" hopper access panel (for airlock)
- One full set of filter bags and wire cages with mounting hardware
- Zinc oxide primer on the interior and exterior, and an exterior finish of industrial enamel (color is tan or gray)
- One differential pressure gauge with dust trap and connecting hardware

Model	A	B	C
SPJ-40-X4T8	66"	58"	288"
SPJ-48-X4T8	66"	66"	288"
SPJ-56-X4T8	66"	75"	296"
SPJ-64-X4T8	66"	84"	305"
SPJ-72-X4T8	96"	69"	314"
SPJ-84-X4T8	96"	79"	313"
SPJ-96-X4T8	96"	87"	314"
SPJ-108-X4T8	96"	96"	314"
SPJ-120-X4T8	96"	105"	321"
SPJ-132-X4T8	96"	118"	333"
SPJ-144-X4T8	96"	130"	344"

Standard models up to 736 filter bags available.



AIR CLEANING EQUIPMENT, INC.



SCIENTIFIC DUST COLLECTORS

(800) 962-0650

www.aircleaningequipment.com 05/06

BUL #602

Top Bag removal col-
lectors with railing top
access

SPJ-RT SERIES

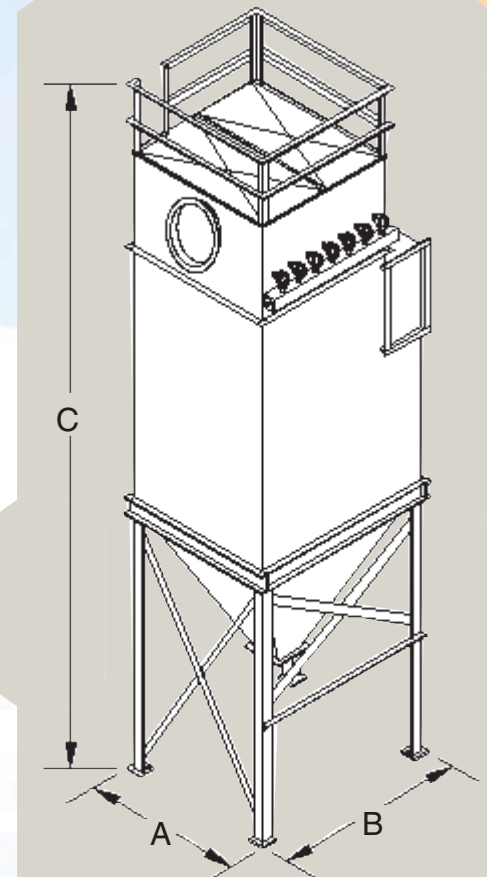
The SPJ Series Dust Collector is a heavy duty reverse pulse-jet dust collector that eliminates flow-restricting venturis and utilizes our patented cleaning system. The cleaning system results in reliable and efficient collectors that requires fewer bags and prolongs bag life. This reduces overall maintenance and operating costs while operating a smaller overall collector.

STANDARD FEATURES

- 12 gauge hot rolled steel housing, reinforced to withstand ± 20 IWC
- Structure designed to withstand 100 MPH winds + Zone 3 seismic loads
- Patented cleaning system with solid state timer pre-wired in NEMA 4 enclosure (110 V)
- 60° hopper with square discharge, flanged and pre-drilled for auxiliary equipment
- Compressed air manifold mounted with pipe couplings on both ends for easy connection of air supply
- Hopper discharge clearance of 42", sized for slide gate and 55 gallon drum adapter
- Flanged inlet and pre-drilled flanged outlet
- Removable 20" x 20" hopper access panel (for airlock)
- One full set of filter bags and wire cages with mounting hardware
- Zinc oxide primer on the interior and exterior, and an exterior finish of industrial enamel (color is tan or gray)
- One differential pressure gauge with dust trap and connecting hardware

Model	A	B	C
SPJ-40-X4RT8	72"	61"	217"
SPJ-48-X4RT8	72"	69"	222"
SPJ-56-X4RT8	72"	78"	234"
SPJ-64-X4RT8	72"	87"	248"
SPJ-72-X4RT8	102"	72"	256"
SPJ-84-X4RT8	102"	82"	258"
SPJ-96-X4RT8	102"	90"	261"
SPJ-108-X4RT8	102"	99"	263"
SPJ-120-X4RT8	102"	108"	270"
SPJ-132-X4RT8	102"	121"	284"
SPJ-144-X4RT8	102"	133"	297"

Standard models up to 736 filter bags available.



AIR CLEANING EQUIPMENT, INC.



SCIENTIFIC DUST COLLECTORS

(800) 962-0650

www.aircleaningequipment.com

BUL #603
05/06

Bottom Bag removal
collectors with side
bag access

SPJ-B SERIES

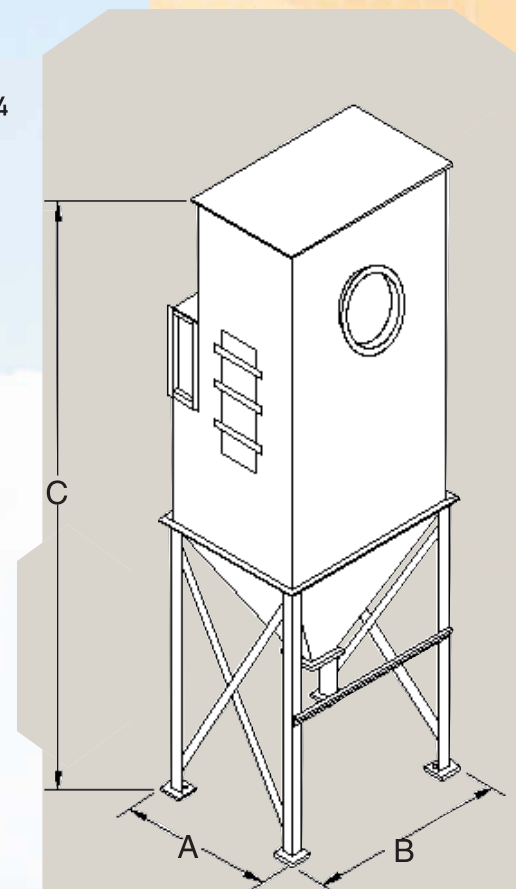
The SPJ Series Dust Collector is a heavy duty reverse pulse-jet dust collector that eliminates flow-restricting venturis and utilizes our patented cleaning system. The cleaning system results in reliable and efficient collectors that requires fewer bags and prolongs bag life. This reduces overall maintenance and operating costs while operating a smaller overall collector.

STANDARD FEATURES

- 12 gauge hot rolled steel housing, reinforced to withstand ± 20 IWC
- Structure designed to withstand 100 MPH winds + Zone 3 seismic loads
- Patented cleaning system with solid state timer pre-wired in NEMA 4 enclosure
- 60° hopper with square discharge, flanged and pre-drilled for auxiliary equipment
- Compressed air manifold mounted with pipe couplings on both ends for easy connection of air supply
- Hopper discharge clearance of 42", sized for slide gate and 55 gallon drum adapter
- Flanged inlet and pre-drilled flanged outlet
- Removable 20" x 20" hopper access panel (for airlock)
- One full set of filter bags and wire cages with mounting hardware
- Zinc oxide primer on the interior and exterior, and an exterior finish of industrial enamel
- One differential pressure gauge with dust trap and connecting hardware

Model	A	B	C
SPJ-4-X4B6	26"	21"	157"
SPJ-9-X4B6	36"	28"	165"
SPJ-12-X4B6	37"	36"	166"
SPJ-18-X4B6	36"	51"	173"
SPJ-24-X4B6	45"	51"	176"
SPJ-30-X4B6	54"	51"	185"
SPJ-36-X4B6	62"	51"	197"
SPJ-4-X4B8	26"	21"	181"
SPJ-9-X4B8	36"	28"	189"
SPJ-12-X4B8	37"	36"	190"
SPJ-18-X4B8	36"	51"	197"
SPJ-24-X4B8	45"	51"	200"
SPJ-30-X4B8	54"	51"	209"
SPJ-36-X4B8	62"	51"	221"

Larger models available.



AIR CLEANING EQUIPMENT, INC.

(800) 962-0650

www.aircleaningequipment.com



SCIENTIFIC DUST COLLECTORS

4101 W. 126th Street + Alsip, IL 60803 USA
ph 708.597.7090 + fx 708.597.0313

www.scientificdustcollectors.com
A Venturedyne Ltd. Company

BUL #604
01/07

Bottom Bag removal
collectors with side
bag access

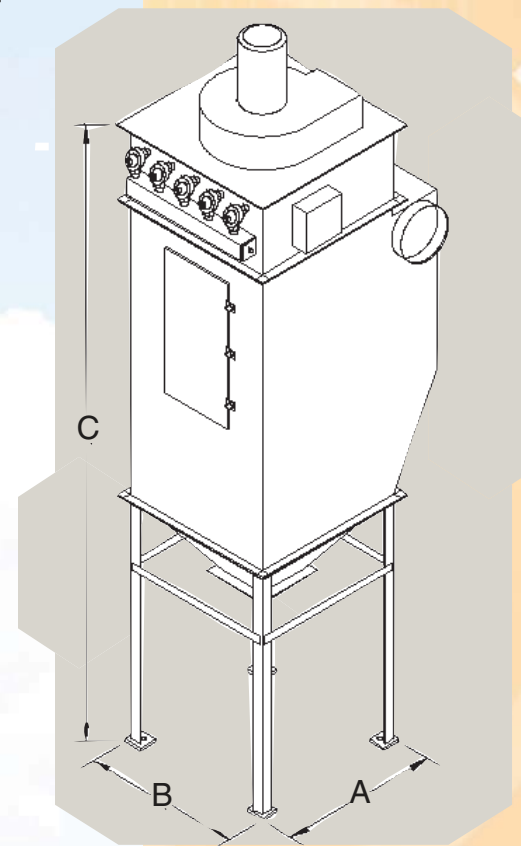
SPJ-BL SERIES

The SPJ-BL Series Dust Collector is an economical baghouse collector designed for lower CFM flow amounts with all the quality design features you come to expect from SDC. The unit is fully welded, includes SDC's patented cleaning system, and has a generous access door. The cleaning system and large dropout section provide reliable and efficient collectors that require fewer bags and prolonged bag life. All SPJ-BL collectors are on-line, self cleaning units with a solid state timer board for the cleaning system. Ideal for flows up to 5,000 CFM.

STANDARD FEATURES

- 12 gauge hot rolled steel housing, reinforced to withstand ± 14 IWC
- Patented cleaning system with solid state timer pre-wired in NEMA 4 enclosure
- 55° hopper with square discharge, flanged and pre-drilled for auxiliary equipment
- Compressed air manifold mounted with pipe couplings on both ends for easy connection of air supply
- Hopper discharge clearance of 42", sized for a dust cart (style C) or a slide gate and 55 gallon drum adapter (style D)
- Inlet collar and pre-drilled flanged outlet
- One full set of filter bags and wire cages with mounting hardware
- Zinc oxide primer on the interior and exterior, and an exterior finish of industrial enamel
- One differential pressure gauge with dust trap and connecting hardware

Model	Style	A	B	C
SPJ-16-4BL4	D	48"	37"	122"
SPJ-16-4BL6	D	50"	37"	146"
SPJ-20-4BL4	C	55"	37"	123"
SPJ-20-4BL4	D	55"	37"	126"
SPJ-20-4BL6	C	57"	37"	147"
SPJ-20-4BL6	D	57"	37"	150"
SPJ-25-4BL4	C	57"	44"	123"
SPJ-25-4BL4	D	57"	44"	126"
SPJ-25-4BL6	C	59"	44"	147"
SPJ-25-4BL6	D	59"	44"	150"
SPJ-36-4BL4	C	66"	51"	128"
SPJ-36-4BL4	D	66"	51"	131"
SPJ-36-4BL6	C	68"	51"	152"
SPJ-36-4BL6	D	68"	51"	155"



AIR CLEANING EQUIPMENT, INC.



SCIENTIFIC DUST COLLECTORS

(800) 962-0650

www.aircleaningequipment.com

BUL #709
07/09