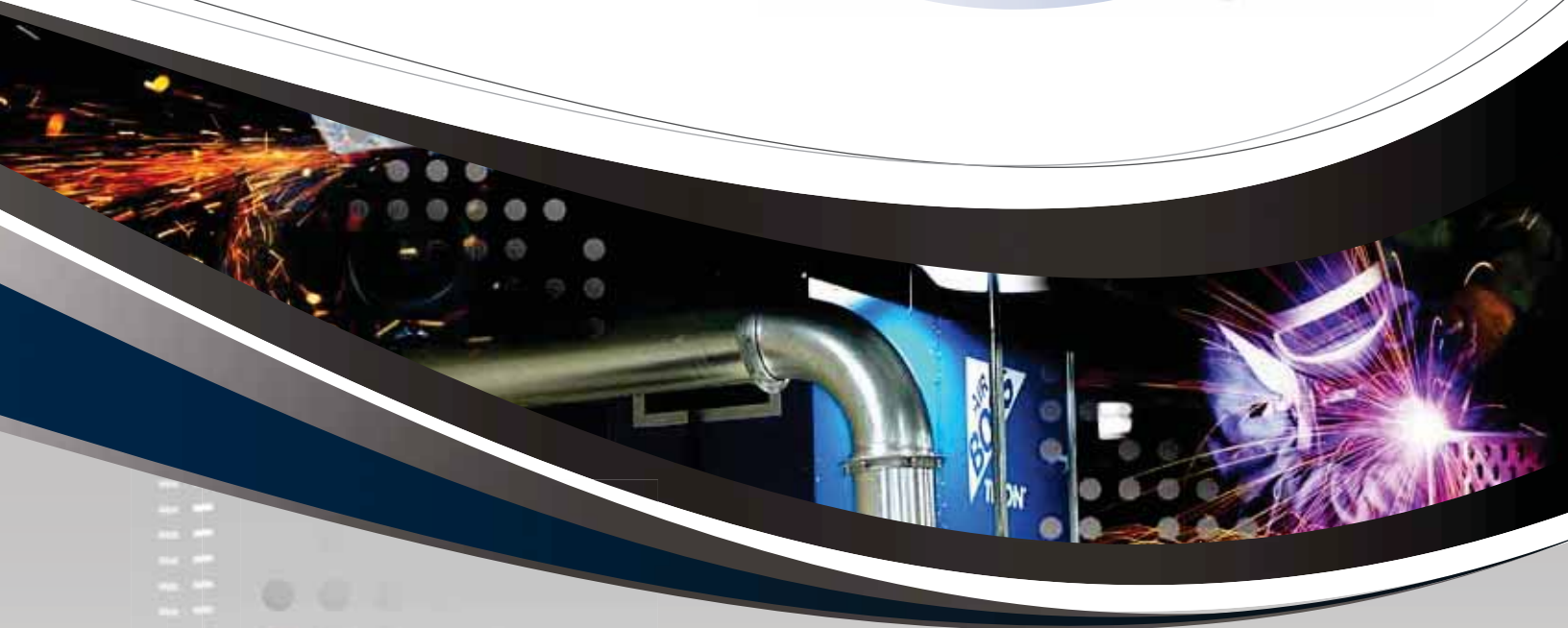


AIR CLEANING EQUIPMENT, INC.  
(800) 962-0650

# TRION

Air Purification Systems



## Air Boss® T-Series *Electronic Air Cleaners*

Air Cleaning Equipment, Inc.

(800) 962-0650  
[www.aircleaningequipment.com](http://www.aircleaningequipment.com)

# Engineered Solutions For Clean Air

The Trion® T-Series is ideal for the removal of smoke, fumes, and oil/coolant smoke and mist. The T-Series has the ability to clean contaminated indoor air and recirculate it back to the work area, reducing energy costs by not having to exhaust conditioned air to the outside. Models T1300, T2600 and T5200 can be installed either unducted or ducted for source capture. Models T1001 and T2002 are designed for in-ducted capture.

## Features

- Solid State Power Supply
- Spiked Ionizing Blades
- Extra Depth Collector Cells
- Totally Enclosed Fan Cooled Motor
- Electrical Component Box Mounted out of Air Stream
- Optional Multi-Purpose Plenum
- Motor HP Options for Added Static Pressure

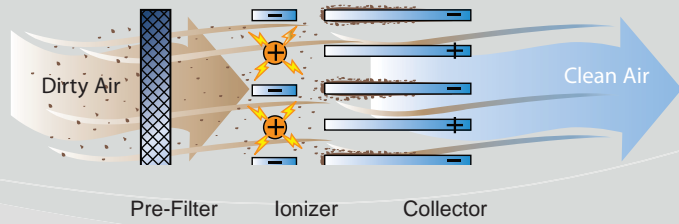
## Benefits

- Self Glazing Ceramic Insulators: Out of Airstream; Impervious to Liquids; Provide Operational Longevity and Power Supply Life; Easy to Clean
- Extra Depth Collector Cell with More Dirt Holding Capacity
- Spiked Ionizer: No Ionizing Wires to Replace, Reducing Maintenance and Replacement Cost
- High Efficiency: Up to 95% on Single Pass and 99% on Double Pass Option
- Permanent Ionizer/Collector Elements: No Filter Replacement Cost; Just Wash, Dry and Reinstall
- Low Pressure Drop: Lower Energy Cost to Operate Compared to Media and Cartridge Units
- Hinged Filter Access: No Tools Required for Quick and Easy Service



## How it Works

The Trion® T-Series utilizes the principle of Electrostatic Precipitation. Air is drawn by the motor/blower through a washable metal mesh pre-filter which traps large dust particles. The remaining particles, some as small as 0.01 microns, pass into a strong electrical field (ionizing section) where the particulate receives an electrical charge. The charged particles then pass into a collector plate section made up of a series of equally spaced parallel plates. Each alternate plate is charged with the same polarity as the particles, which repel, while the interleaving plates are grounded, which attract and collect.



Air Boss® T1001



Air Boss® T2002



Air Boss® T1300



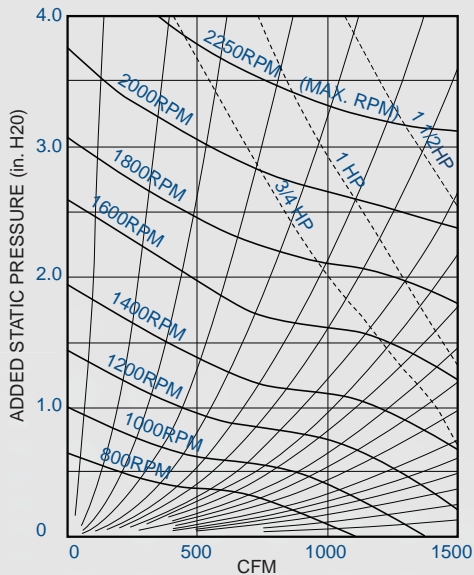
Air Boss® T2600



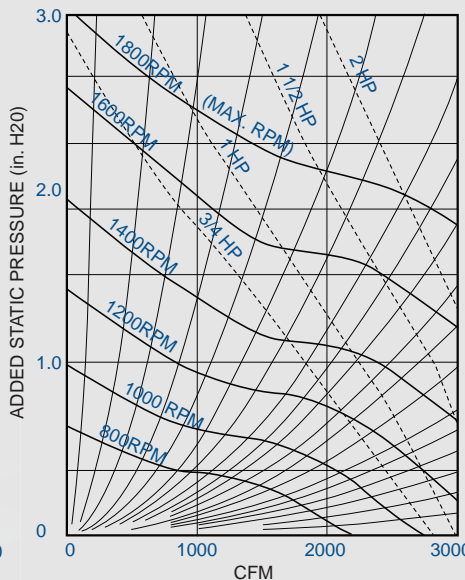
Air Boss® T5200



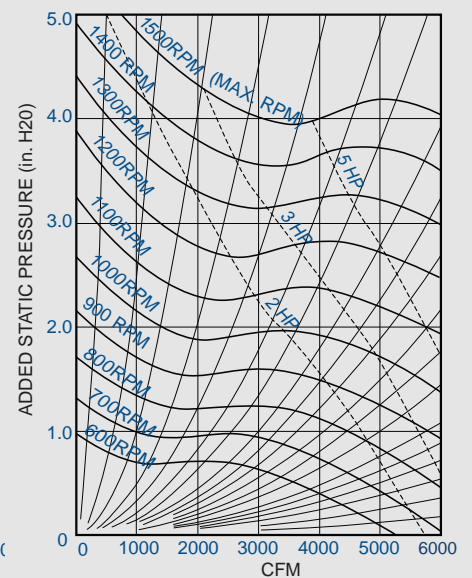
T1300 Curves



T2600 Curves



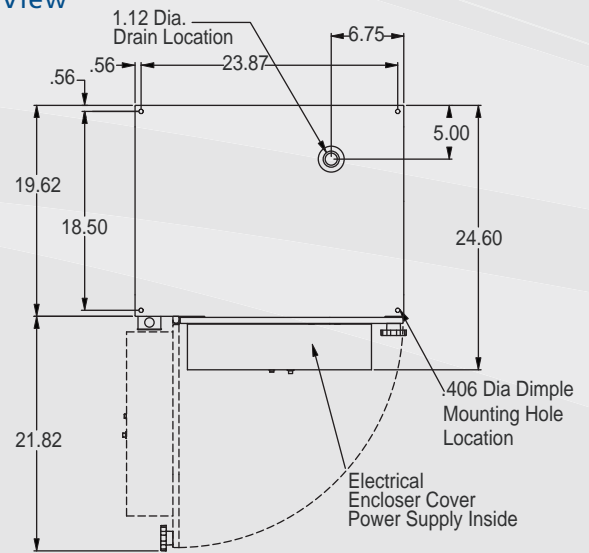
T5200 Curves



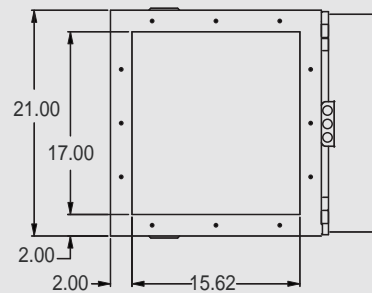
# Air Boss® T1001 Specifications



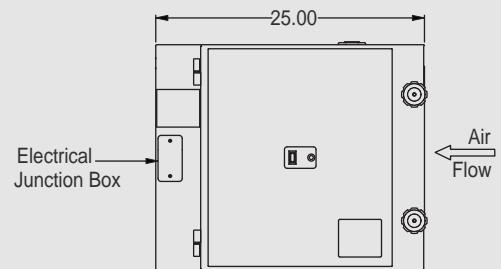
Top View



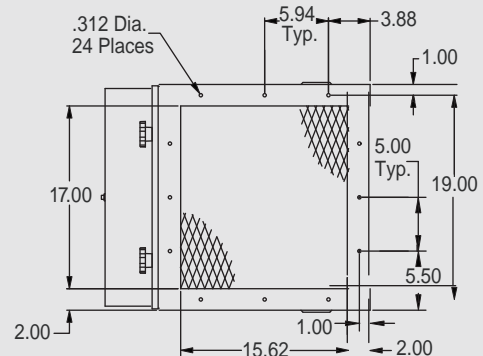
Discharge End



Front View



Intake End



## T1001 Blowerless

<b>Dimensions</b>	25" L x 25" W x 21" H
<b>Installation</b>	Suspended, Wall, Frame or Duct Mounting
<b>Unit Weight</b>	91 Lbs., Shipping Wt. 144 Lbs.
<b>Air Volume</b>	800 - 1600 CFM
<b>Controls</b>	On/Off Switch with Indicating Light
<b>Pre-Filter</b>	Aluminum Mesh Standard 18.4" L x 18.4" W x .88" D Optional Impinger
<b>Primary Filter</b>	Standard Forever Filter- Electronic Ionizer / Collector Cell Optional Bag Filter Optional Absorber Module
<b>After Filter</b>	Optional Disposable Charcoal After Filter 18.4" W x 18.4" H x .88" D
<b>Power Supply</b>	High Frequency Solid State Design
<b>Efficiency</b>	To 95% Based On D.O.P. Test Method, To 99% for Double Pass (Calculated)
<b>General</b>	Multiple Units can be Joined Together for Increased Volume or Higher Efficiency

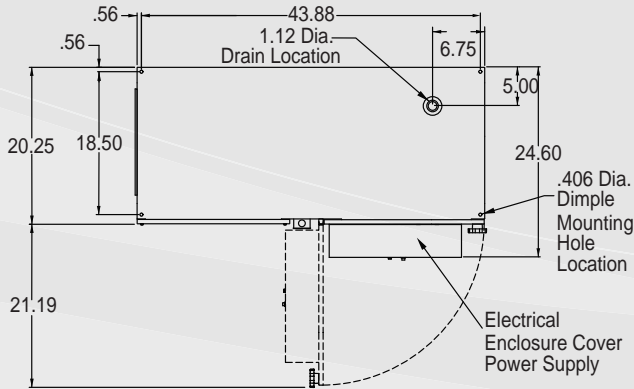
## Standard Specifications for Each Unit

<b>Cabinet</b>	16 Gauge Welded Galvanized Steel
<b>Finish</b>	Blue Epoxy Powder Coat
<b>Air Flow</b>	Horizontal — Standard Right to Left (Left to Right Option)
<b>Accessories</b>	Optional Source Capture Plenum Optional Brass Drain Fitting

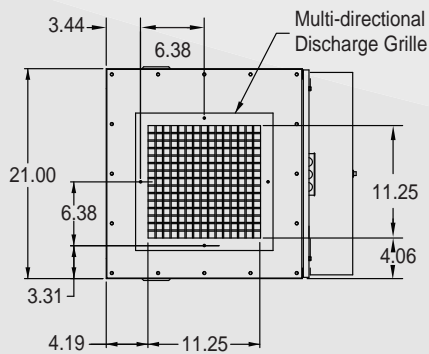
Note: Units can be stacked in configurations up to 8000 CFM.

# Air Boss® T1300 Specifications

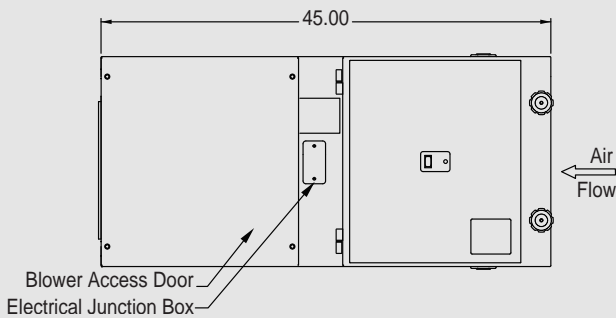
## Top View



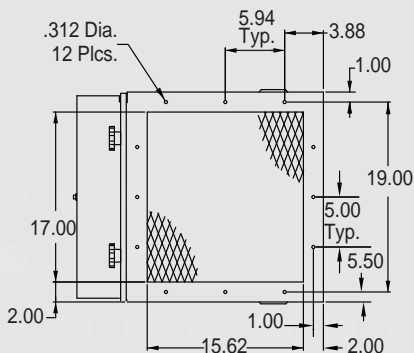
## Discharge End



## Front View



## Intake End



## T1300

<b>Dimensions</b>	45" L x 25" W x 21" H					
<b>Installation</b>	Suspended, Wall, Frame Mounting					
<b>Unit Weight</b>	180 Lbs., Shipping Wt. 268 Lbs.					
<b>Motor</b>	TEFC, Sealed Ball Bearings, 1725 RPM, Thermal Protected Continuous Duty, U.L. Listed					
<b>Motor Options</b>	HP	Vac	Hz	Phase	Max Amp	Max Watt
<b>Standard</b>	3/4	120/230	60	1	11.7/6.1	950
<b>Option</b>	1	208/230/460	60	3	3.5/1.8	900
<b>Blower</b>	Belt Driven, Squirrel Cage, Forward Curved, with Sealed Ball Bearings					
<b>Air Volume</b>	800 - 1600 CFM Factory Set At 1300 CFM					
<b>Efficiency</b>	To 95% Based on D.O.P. Test Method, To 99% for Double Pass (Calculated)					
<b>Controls</b>	On/Off Switch with Indicating Light Motor Starter (3 Phase Only)					
<b>Sound Rating</b>	67 dBA					
<b>Pre-Filter</b>	Standard - Aluminum Mesh 18.4" L x 18.4" W x .88" D Optional - Impinger					
<b>Primary Filter</b>	Standard Forever Filter- Electronic Ionizer / Collector Cell Optional Bag Filter Optional Absorber Module					
<b>After Filter</b>	Disposable Charcoal After Filter Option 8.4" W x 18.4" H x .88" D					
<b>Power Supply</b>	High Frequency Solid State Design					

## Standard Specifications for Each Unit

<b>Cabinet</b>	16 Gauge Welded Galvanized Steel
<b>Finish</b>	Blue Epoxy Powder Coat
<b>Air Flow</b>	Horizontal — Standard Right to Left (Left to Right Opt)
<b>Accessories</b>	Optional Source Capture Plenum Optional Brass Drain Fitting

# Air Boss® T2002 Specifications



## T2002 Blowerless

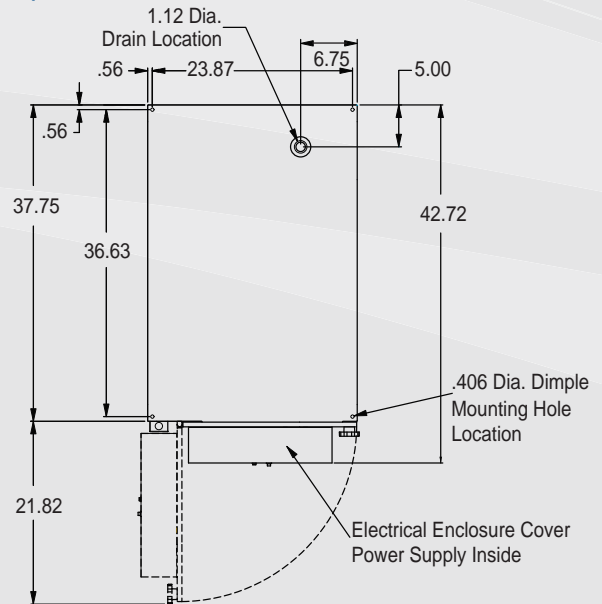
<b>Dimensions</b>	25" L x 43" W x 21" H
<b>Installation</b>	Suspended, Wall, Frame Or Duct Mounting
<b>Unit Weight</b>	148 Lbs., Shipping Wt. 221 Lbs.
<b>Air Volume</b>	1600 - 3200 CFM
<b>Controls</b>	On/Off Switch with Indicating Light
<b>Pre-Filter (2) Required</b>	Aluminum Mesh Standard 18.4" L x 18.4" W x .88" D Optional Impinger
<b>Primary Filter (2) Required</b>	Standard Forever Filter - Electronic Ionizer/Collector Cell Optional Bag Filter Optional Absorber Module
<b>After Filter (2) Required</b>	Optional Disposable Charcoal After Filter 18.4" W x 18.4" H x .88" D
<b>Power Supply</b>	High Frequency Solid State Design
<b>Efficiency</b>	To 95% Based On D.O.P. Test Method, To 99% for Double Pass (Calculated)
<b>General</b>	Multiple Units can be Joined Together for Increased Volume or Higher Efficiency

## Standard Specifications for Each Unit

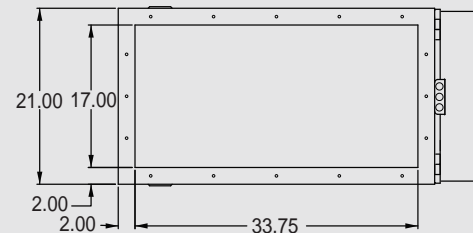
<b>Cabinet</b>	16 Gauge Welded Galvanized Steel
<b>Finish</b>	Blue Epoxy Powder Coat
<b>Air Flow</b>	Horizontal — Standard Right to Left (Left to Right Option)
<b>Accessories</b>	Optional Source Capture Plenum Optional Brass Drain Fitting

Note: Units can be stacked in configurations up to 16000 CFM.

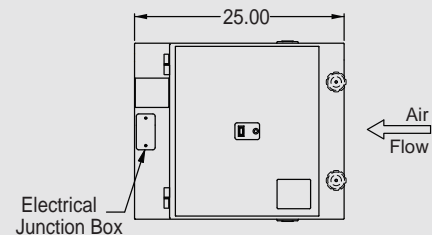
## Top View



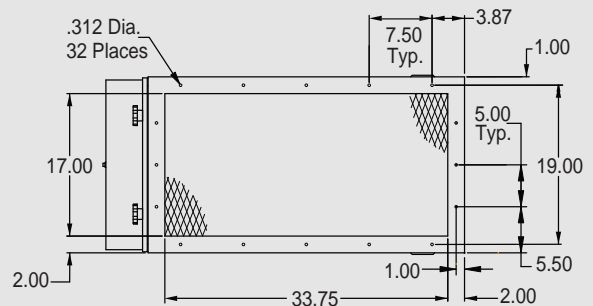
## Discharge End



## Front View

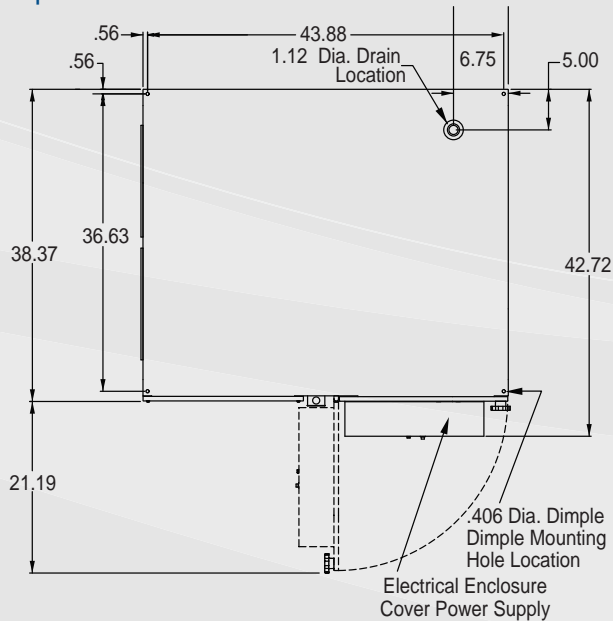


## Intake End

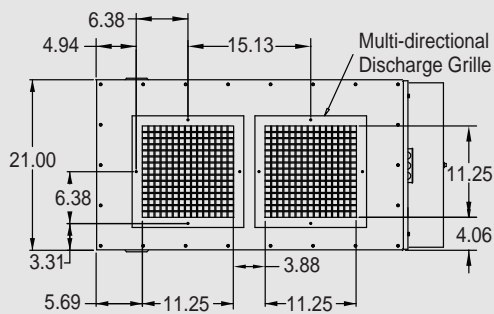


# Air Boss® T2600 Specifications

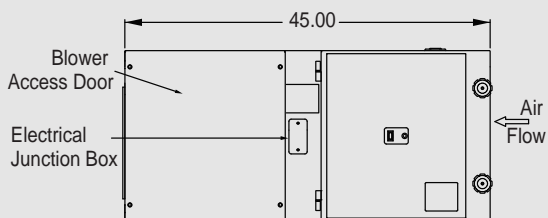
## Top View



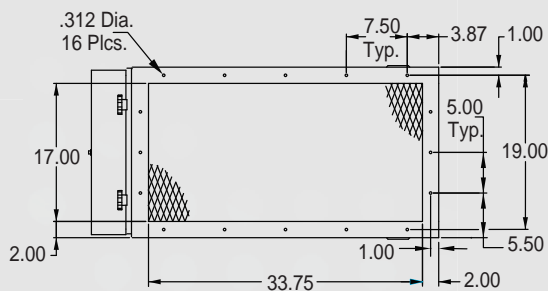
## Discharge End



## Front View



## Intake End



## T2600

<b>Dimensions</b>	45" L x 43" W x 21" H				
<b>Installation</b>	Suspended, Wall, Frame Mounting				
<b>Unit Weight</b>	180 Lbs., Shipping Wt. 268 Lbs.				
<b>Motor</b>	TEFC, Sealed Ball Bearings, 1725 RPM, Thermal Protected Continuous Duty, U.L. Listed				
<b>Motor Options</b>	HP	Vac	Hz	Phase	Amp. Max
<b>Standard</b>	3/4	120/230	60	1	7
<b>Option 1</b>	1	208/230/460	60	3	3.4/1.7
<b>Option 2</b>	2	208/230/460	60	3	6.4/3.2
<b>Blower</b>	Belt Driven, Double Squirrel Cage, Forward Curved, with Sealed Ball Bearings				
<b>Air Volume</b>	1600 - 3200 CFM Factory Set at 2600 CFM				
<b>Efficiency</b>	To 95% Based on D.O.P. Test Method, to 99% for Double Pass (Calculated)				
<b>Controls</b>	On/Off Switch with Indicating Light Motor Starter (3 Phase Only)				
<b>Sound Rating</b>	71 DBA				
<b>Pre-Filter (2) Required</b>	Standard Aluminum Mesh: 18.4" L x 18.4" W x .88" D Optional Impingers				
<b>Primary Filter (2) Required</b>	Standard Forever Filter-Electronic Ionizer/Collector Cell Optional Bag Filters Optional Absorber Modules				
<b>After Filter (2) Required</b>	Optional Disposable Charcoal After Filter 18.4" W x 18.4" H x 1" D				
<b>Power Supply</b>	High Frequency Solid State Design				

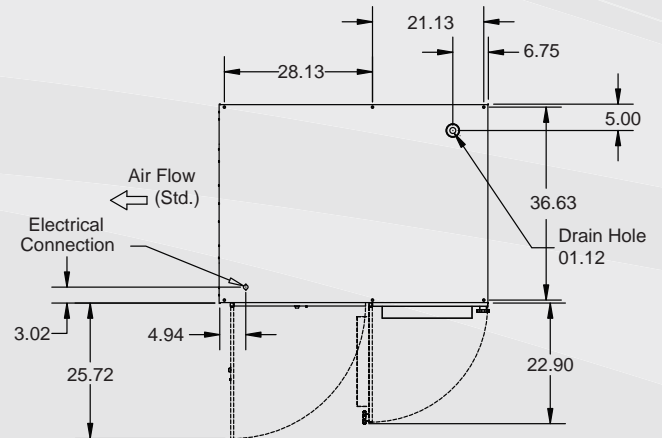
## Standard Specifications for Each Unit

<b>Cabinet</b>	16 Gauge Welded Galvanized Steel
<b>Finish</b>	Blue Epoxy Powder Coat
<b>Air Flow</b>	Horizontal — Standard Right to Left (Left to Right Option)
<b>Accessories</b>	Optional Source Capture Plenum Optional Brass Drain Fitting

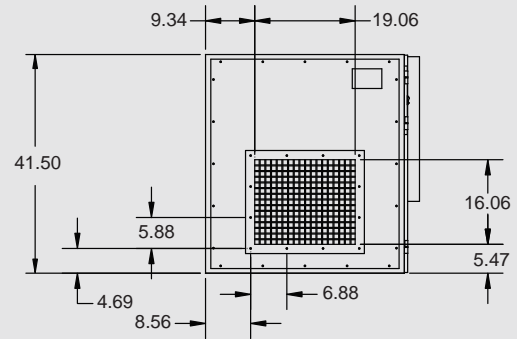
# Air Boss® T5200 Specifications



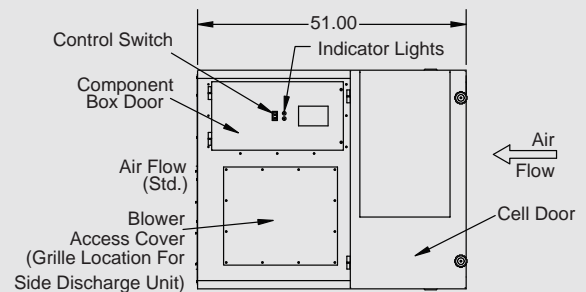
Top View



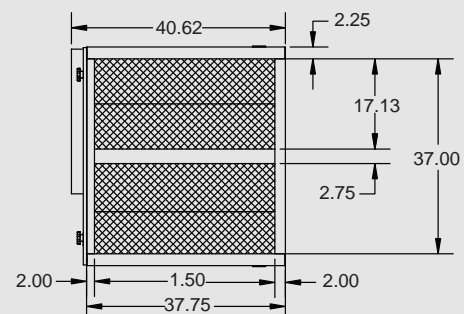
Discharge End



Front View



Intake End



## T5200

<b>Dimensions</b>	51" L x 41" W x 42" H					
<b>Installation</b>	Suspended, Wall, or Frame Mounting					
<b>Unit Weight</b>	600 Lbs., Shipping Wt. 730 Lbs.					
<b>Motor</b>	TEFC, Sealed Ball Bearings, 1725 RPM, Thermal Protected Continuous Duty, U.L. Recognized					
<b>Motor Options</b>	HP	Vac	Hz	Phase	Max Amps	Max Watts
<b>Standard</b>	2	230 / 460	60	3	6.8 / 3.4	1564
<b>Option 1</b>	3	230 / 460	60	3	9.7 / 4.0	2937
<b>Option 2</b>	5	230 / 460	60	3	14.7 / 7.2	4687
<b>Blower</b>	Belt Driven, Squirrel Cage, Forward Curved, with Sealed Ball Bearings					
<b>Air Volume</b>	4000-6000 CFM - Factory Set At 5200 CFM					
<b>Efficiency</b>	To 95% Based On D.O.P. Test Method, To 99% for Double Pass (Calculated)					
<b>Controls</b>	On/Off Switch with Indicating Light — Motor Starter					
<b>Sound Rating</b>	76 DBA					
<b>Pre-Filter (4) Required</b>	Standard Aluminum Mesh 18.4" L x 18.4" W x .88" D Optional Impingers					
<b>Primary Filter (4) Required</b>	Standard Forever Filter- Electronic Ionizer / Collector Cell Optional Bag Filters Optional Absorber Modules					
<b>After Filter (4) Required</b>	Optional Disposable Charcoal Filter 18.4" L x 18.4" W x .88" D					
<b>Power Supply</b>	High Frequency Solid State Design (2 Required)					

## Standard Specifications for Each Unit

<b>Cabinet</b>	16 Gauge Welded Galvanized Steel
<b>Finish</b>	Blue Epoxy Powder Coat
<b>Air Flow</b>	Horizontal — Standard Right to Left (Left to Right Option)
<b>Accessories</b>	Optional Source Capture Plenum Optional Brass Drain Fitting



# Extended Range Products

T4002



T6002



T8002



The Model T4002 is a duct-mounted unit with air movement provided by an external source, such as an exhaust fan or air handler. The T4002 consists of two T2002 Modules stacked vertically, and contains four washable Ionizing/Collecting Cells with Stainless Steel Spiked Ionizers and Self Glazing Ceramic Insulators. Air volume range is 3200-6400 CFM.

The Model T6002 is a duct-mounted unit with air movement provided by an external source, such as an exhaust fan or air handler. The T6002 consists of three T2002 Modules stacked vertically, and contains six washable Ionizing/Collecting Cells with Stainless Steel Spiked Ionizers and Self Glazing Ceramic Insulators. Air volume range is 4800-9600 CFM.

The Model T8002 is a duct-mounted unit with air movement provided by an external source, such as an exhaust fan or air handler. The T8002 consists of four T2002 Modules stacked vertically, and contains eight washable Ionizing/Collecting Cells with Stainless Steel Spiked Ionizers and Self Glazing Ceramic Insulators. Air volume range is 6400-12800 CFM.

Model	T4002	T6002	T8002
<b>Dimensions (L x W x H)</b>	25" x 42.7" x 42.3"	25" x 42.7" x 63.5"	25" x 42.7" x 84.8"
<b>Installation</b>	In-Duct		
<b>Unit Weight</b>	300 Lbs.	450 Lbs.	600 Lbs.
<b>Voltage</b>	120/60/1; 240/60/1; 460/60/3		
<b>Air Volume</b>	3200-6400 CFM	4800-9600 CFM	6400-12800 CFM
<b>Efficiency</b>	To 95% Based On D.O.P. Test Method		
<b>Controls</b>	(2) On/Off Switches with Indicating Lights	(3) On/Off Switches with Indicating Lights	(4) On/Off Switches with Indicating Lights
<b>Power Supply</b>	(2) High Frequency, Solid State	(3) High Frequency, Solid State	(4) High Frequency, Solid State
<b>1" Mesh Prefilter - Qty.</b>	4	6	8
<b>Ionizing/Collecting Cell - Qty.</b>	4	6	8
<b>After Filter (Option) - Qty.</b>	1" Charcoal After Filter (4) Required 1" Mesh Filter (4) Required	1" Charcoal After Filter (6) Required 1" Mesh Filter (6) Required	1" Charcoal After Filter (6) Required 1" Mesh Filter (8) Required

## Standard Specifications for Each Unit

<b>Cabinet</b>	16 Gauge Welded Galvanized Steel
<b>Finish</b>	Blue Epoxy Powder Coat
<b>Air Flow</b>	Horizontal — Standard Right to Left (Left to Right Option)
<b>Accessories</b>	Brass Drain Fittings; Drain Trays between Modules; Refillable Carbon Modules for Odor Control

Note: T2002 Modules can be stacked up to 5-high and 2-wide for 32000 CFM.



Our Electronic Air Cleaners come with a three-year limited warranty.



DC Cartridge Dust Collector

Learn more about other Trion® industrial products by contacting your local Trion representative or by visiting us on the web at [www.TRIONINC.com](http://www.TRIONINC.com)



Mini M.E. Mist Collector

**TRION**  
Air Purification Systems

Air Cleaning Equipment, Inc.

(800) 962-0650

[www.aircleaningequipment.com](http://www.aircleaningequipment.com)